

# ACI-750LB AC Industrial Gearmotor



## FEATURES

- **Foot (Leg)-Mount Gearmotor**
- **Power: 750 Watts**
- **Gear Ratios from 5:1 to 200:1**
- **Frequency: 60Hz**
- **Three-Phase Operation**
- **IP55 Rated**
- **Class F Insulation**
- **High Starting Torque for High Inertia Loads**
- **Long Lifetime**



## DESCRIPTION

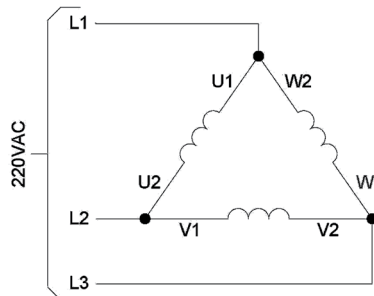
Anaheim Automation's Industrial Gearmotors offer high-quality and affordability with a wide variety of options to choose from. These 750 Watt gearmotors are offered in the foot (leg) mounting option with a top-located terminal box, and are available in a variety of sizes and gear ratios. They run off of a three-phase power supply, and depending on the wiring configuration can operate at 220VAC or 380VAC. For assistance in selecting the appropriate AC Industrial Gearmotor, please contact an Anaheim Automation Applications Engineer.

## SPECIFICATIONS

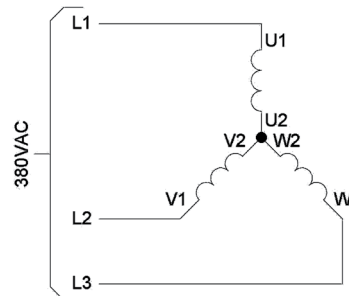
Capacitor: uF/VAC	Not Required	Duty Cycle:	Continuous
Phase:	Three-Phase	Ambient Temp:	-10°C ~ 40°C
Frequency:	60Hz	Ambient Humidity:	Under 85% without Condensation
AC Gearmotor Type	Industrial	Insulation Rating	F (155°C)

## WIRING DIAGRAMS

**220VAC WIRING FOR ACI GEARMOTORS**



**380VAC WIRING FOR ACI GEARMOTORS**



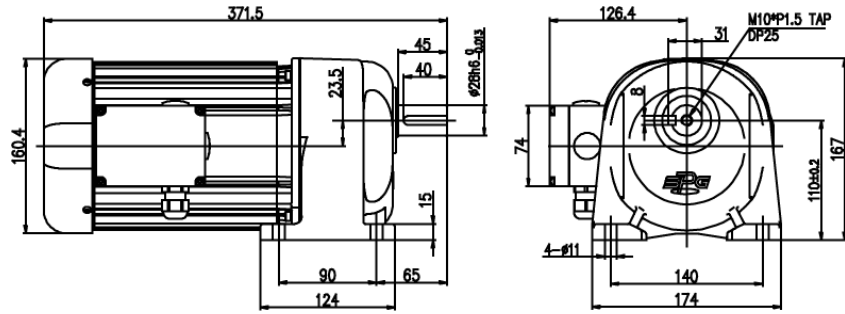
L010895

Model #	Gear Ratio	Output Shaft Diameter (mm)	Rated Torque (oz-in)	Gearmotor Speed (RPM)	Permissible OHL (lbs)	Input Voltage (VAC)	Current (A)	Gearmotor Length (in)	Weight (lbs)
ACI-750LBRT-28-005	5:1	28	2,690	341	286	220/380	3.1/1.8	11.7	30.4
ACI-750LBRT-28-010	10:1	28	5,381	171	396	220/380	3.1/1.8	11.7	30.4
ACI-750LBRT-28-015	15:1	28	8,071	114	486	220/380	3.1/1.8	11.7	30.4
ACI-750LBRT-28-020	20:1	28	10,620	85	528	220/380	3.1/1.8	11.7	30.4
ACI-750LBRT-28-025	25:1	28	13,311	68	551	220/380	3.1/1.8	11.7	30.4
ACI-750LBRT-32-030	30:1	32	16,143	57	904	220/380	3.1/1.8	12.5	38.3
ACI-750LBRT-32-040	40:1	32	20,675	43	946	220/380	3.1/1.8	12.5	38.3
ACI-750LBRT-32-050	50:1	32	25,914	34	1036	220/380	3.1/1.8	12.5	38.3
ACI-750LBRT-32-060	60:1	32	31,154	28	1234	220/380	3.1/1.8	12.5	38.3
ACI-750LBRT-32-080	80:1	32	41,492	21	1321	220/380	3.1/1.8	12.5	38.3
ACI-750LBRT-32-100	100:1	32	42,766	17	1321	220/380	3.1/1.8	12.5	38.3
ACI-750LBRT-40-100	100:1	40	51,829	17	1587	220/380	3.1/1.8	12.9	50.2
ACI-750LBRT-40-120	120:1	40	62,167	14	1587	220/380	3.1/1.8	12.9	50.2
ACI-750LBRT-40-160	160:1	40	82,842	11	1587	220/380	3.1/1.8	12.9	50.2
ACI-750LBRT-40-200	200:1	40	103,659	9	1587	220/380	3.1/1.8	12.9	50.2
ACI-750LBXT-28-005	5:1	28	2,690	341	286	400/440	1.65/1.6	11.7	30.4
ACI-750LBXT-28-010	10:1	28	5,381	171	396	400/440	1.65/1.6	11.7	30.4
ACI-750LBXT-28-015	15:1	28	8,071	114	486	400/440	1.65/1.6	11.7	30.4
ACI-750LBXT-28-020	20:1	28	10,620	85	528	400/440	1.65/1.6	11.7	30.4
ACI-750LBXT-28-025	25:1	28	13,311	68	551	400/440	1.65/1.6	11.7	30.4
ACI-750LBXT-32-030	30:1	32	16,143	57	904	400/440	1.65/1.6	12.5	38.3
ACI-750LBXT-32-040	40:1	32	20,675	43	946	400/440	1.65/1.6	12.5	38.3
ACI-750LBXT-32-050	50:1	32	25,914	34	1036	400/440	1.65/1.6	12.5	38.3
ACI-750LBXT-32-060	60:1	32	31,154	28	1234	400/440	1.65/1.6	12.5	38.3
ACI-750LBXT-32-080	80:1	32	41,492	21	1321	400/440	1.65/1.6	12.5	38.3
ACI-750LBXT-32-100	100:1	32	42,766	17	1321	400/440	1.65/1.6	12.5	38.3
ACI-750LBXT-40-100	100:1	40	51,829	17	1587	400/440	1.65/1.6	12.9	50.2
ACI-750LBXT-40-120	120:1	40	62,167	14	1587	400/440	1.65/1.6	12.9	50.2
ACI-750LBXT-40-160	160:1	40	82,842	11	1587	400/440	1.65/1.6	12.9	50.2
ACI-750LBXT-40-200	200:1	40	103,659	9	1587	400/440	1.65/1.6	12.9	50.2

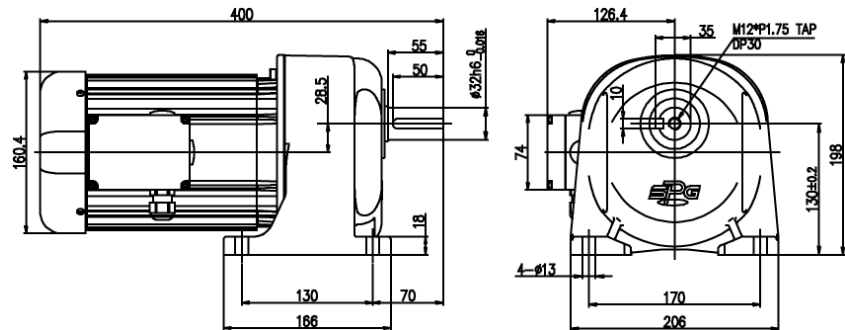
Note: Ratios 5:1 through 30:1 the gearbox output shaft spins in the same direction as the motor. Ratios 40:1 through 200:1 the gearbox output shaft spins in the opposite direction.

Note: Application of Permissible Overhung Load (OHL) is based on the center of output shaft extraction length.

**ACI-750LBxL-28**



**ACI-750LBxL-32**



**ACI-750LBxL-40**

